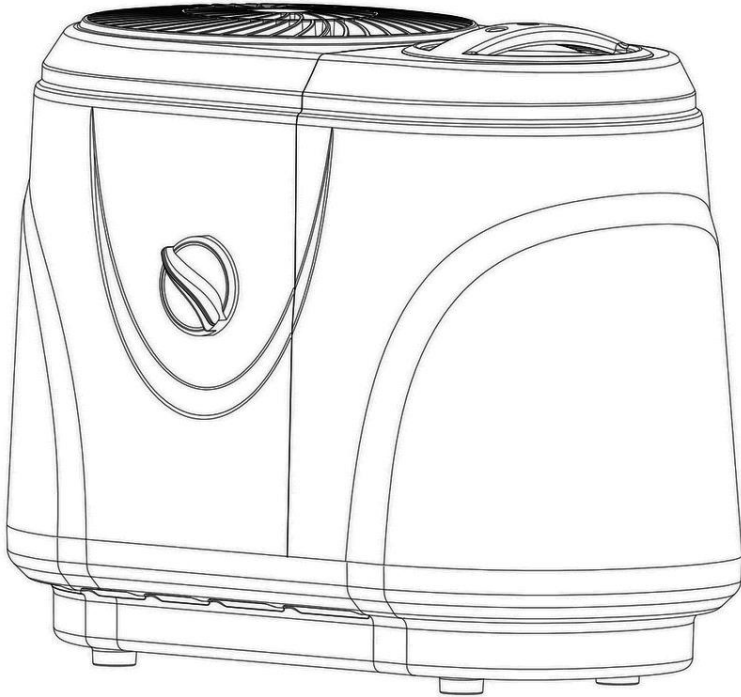


## Humidifier WDH-SA6501



Dear Customer,

You have chosen a high-quality product. To ensure that you get a lot of enjoyment from this product, here are a few more tips:

### **In case of problems**

We hope that the unit meets your expectations! If, despite the greatest possible care, there should ever be cause for complaint, please contact us briefly, as we are very concerned about your satisfaction and would like to clear up any misunderstanding.

## **The first farm**

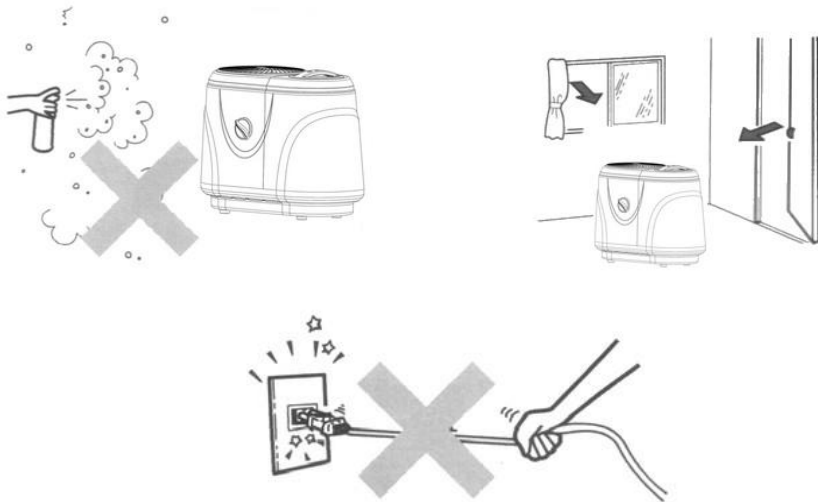
As the inner units come into contact with water for the first time, there may be a slight odour at the beginning. This initial smell disappears after a very short time (1-2 days).

Use only clear and clean (or distilled) water below 40°C to fill the humidifier, and do not use any flavourings etc.

## **Important safety instructions**

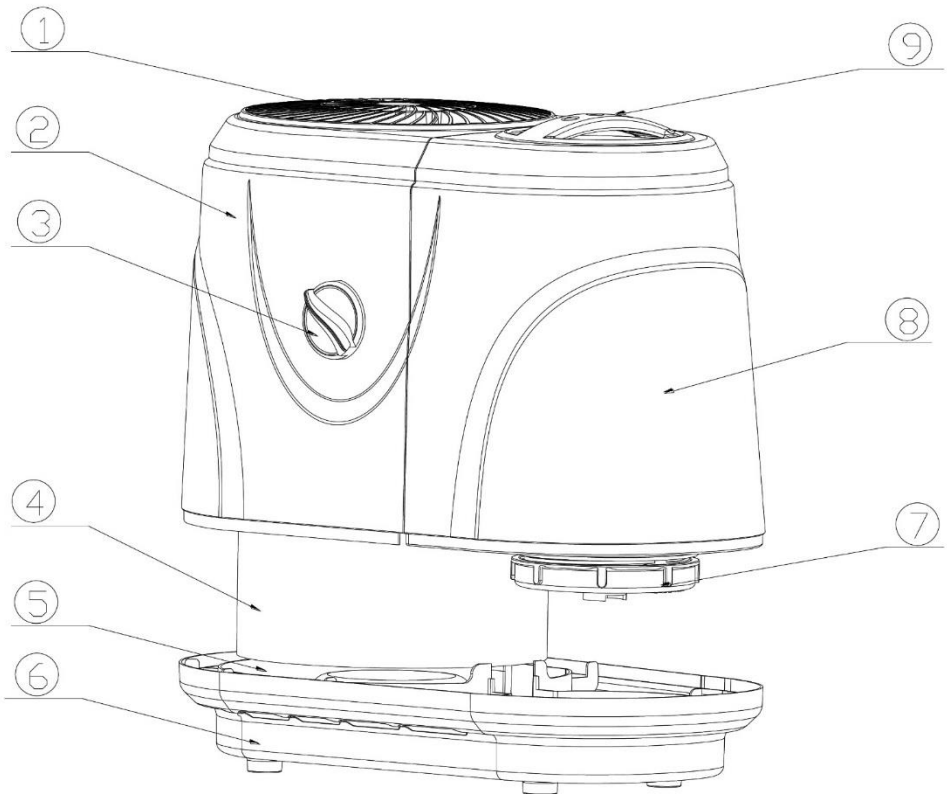
- Only use the recommended voltage for operating the humidifier !
- Supervise the humidifier when children are near the appliance !
- Watch out for electricity, never walk into or insert objects into the appliance !
- Do not block the outlet for the water vapour and please ensure sufficient space/clearance on and around the unit !
- Only qualified personnel or electricians are allowed to open the unit !
- Make sure that no moisture gets to the electrics of the unit !
- Make sure that the power cable is unfolded (untied) before connecting it to the socket !
- Make sure that the plug is cleanly and properly connected to the socket before using the appliance !
- Never reach near the plug or socket with wet hands !
- Do not repair defective or damaged cables on the unit yourself, you could get a severe electric shock !
- Make sure that highly flammable substances (e.g. gases/oils etc.) are never in the vicinity of the unit !
- If you are not going to use the unit for a long time, switch it off and disconnect the mains plug !
- Do not start the appliance without water in the water tank !
- Do not use the unit in bathrooms or other places with very high humidity.
- Do not add any additives such as scented oils to the water !
- Use in frosty temperatures can lead to damage or defects of the humidifier !
- Do not disconnect the mains plug by pulling on the power cable !
- Do not use insect repellent, oil spray, paint spray, etc. near the humidifier. This may cause damage to the unit or even fire !
- Do not place the appliance on sloping or uneven ground !

- Please do not expose the mains plug and the socket to direct moisture and steam. Use the cable length of the appliance so that the mains plug and socket are not directly next to the humidifier !
- For effective and economical humidification operation, please close all doors and windows in the room where the humidifier is located !
- Always set up and transport the unit in its proper and upright position !
- Switch off the humidifier completely when refilling and for cleaning !



Please switch off the unit immediately and disconnect it from the mains/power supply if anything seems to be wrong !!! In this case, please contact a specialist and do not attempt to repair the unit yourself !!!

## Device description



- |                            |                           |
|----------------------------|---------------------------|
| 1.) Steam / air outlet     | 6.) Base plate            |
| 2.) Fan housing            | 7.) Water tank twist lock |
| 3.) Operating switch       | 8.) Water tank            |
| 4.) Evaporation membrane   | 9.) Water tank handle     |
| 5.) Water collection basin |                           |

## Instructions for use

### 1. Before use

Carefully remove the humidifier from its packaging box and remove all protective packaging. Place the humidifier on a firm, level surface that provides sufficient space for the unit and the user. Give the humidifier about half an hour (to adjust to the room climate) before operating it for the first time.

### 2. Commissioning

2.1. Remove the water tank by pulling straight up on the handle. Unscrew the twist cap of the water tank and fill it with clean and clear water. Then put it back in place, making sure that the water tank is correctly seated and that the water can drain easily into the collection basin.

Note: Always use only water with a temperature below 40°C !

Wait briefly for a minute so that the water can distribute well in the lower part of the humidifier.

2.2. Plug the mains plug of the appliance into a mains socket.

2.3. Now turn the operating switch to the right to start humidification operation.

OFF	= OFF
HIGH	= Full operating level
LOW	= Low operating level

2.4. Turn the operating switch completely to the left again (OFF) to end humidification operation.

### 3. Cleaning & Storage

#### 3.1 Preparation for cleaning

- Please switch off the appliance first and disconnect the mains plug before cleaning the humidifier.
- Remove the water tank and the fan housing by pulling them both vertically upwards and thus detaching them from the base plate.
- Now unscrew the water tank and empty it and the collection basin completely of any residual water.

Notes: It is best to place the appliance in a washbasin to empty it.

### 3.2 Cleaning the housing and the wet area

- Only use mild cleaning agents to clean your humidifier.
- Rinse the water tank carefully and wipe it from the outside with a damp cloth. Make sure that there is no residue of the cleaning agents in the tank after cleaning.
- Next, clean the water collection basin with a damp cloth. To do this, remove the filter.
- When the unit is switched off, all parts of the humidifier can be wiped or cleaned with a soft, damp cloth.

### 3.3 Storage

- Remove all water, clean the unit thoroughly and dry it well if you are not going to use the humidifier for a long time. (Allow the unit to dry out completely and please remove all water residues. )
- We recommend that you store the dried out and cleaned unit in the original box when not in use.

### Technical data

<b>Model name:</b>	WDH-SA6501
<b>Voltage:</b>	220 ~ 240V / 50Hz
<b>Max. Power consumption:</b>	15 W (0.1A)
<b>Humidification capacity:</b>	150 ml/h
<b>Water tank capacity:</b>	Approx. 3.5 litres
<b>Noise level:</b>	≤ 35 dB(A)
<b>Electrical protection class:</b>	II
<b>Dimension (H/W/D):</b>	290 x 350 x 240 mm
<b>Weight:</b>	2,2 kg
<b>Range of use:</b>	5° - 40° C

*For the technical data, deviations are reserved !!!*

## Troubleshooting

<b>Problem</b>	<b>Possible cause</b>	<b>Solution</b>
No operation / no power	No power supply	Check the mains plug and/or switch on the unit
No humidification takes place	No water in the water tank	Fill up the water tank
Abnormal smell	New device	Remove the water tank, open the lid and leave the tank in a cool place for approx. 12 hrs.
	Dirty water or old water in the water tank	Clean the water tank and then fill it with fresh and clean water
Abnormal noises	Water in the water tank is running out	Fill up the water tank
	Unit stands on uneven ground	Ensure that the humidifier stands securely
White dust settles near the unit	Lime water	Use soft (distilled) water to fill the appliance !

## Other

### **Humidifier for a better climate and for the benefit of health**

Especially during the heating season, the relative humidity often falls below the recommended range for living and working spaces. This has an unfavourable effect on the well-being and health of people and animals and can also promote diseases of the respiratory system if the indoor air is permanently very dry. A too dry climate can also be harmful for inventory and plants. This effect can be counteracted with our humidifier. In the field of human medicine, a balanced humidity of the ambient air is recommended. However, especially in closed, poorly ventilated and well-heated rooms, such values are often fallen short of, which can lead to reduced respiratory performance and impairment of the skin or mucous membranes. This is especially the case in winter, as the cold outside air then has only a low absolute humidity. Therefore, it should be re-humidified by a humidifier after it has been warmed up to room temperature in order to prevent the relative humidity from dropping too much.

In very cold regions or at cold times of the year or at night, the human organism often shows an increased fluid consumption, although the opposite should rather be assumed due to the lack of fluid loss through sweating. This is due to the humidification of the dry inhaled air and the associated loss of water. If the cold outside air is heated during inhalation, its water vapour capacity increases and thus also lowers the relative humidity. In contrast, the saturation deficit increases and the tendency of the liquid lung tissue water to change into the gaseous aggregate state increases. In summer or when the ambient air is warm, the inhaled air is hardly warmed up any further and therefore retains its usually high relative humidity. If the additional water losses through sweating are not too great here, the body's water requirement is therefore higher in cold ambient conditions. Increased humidity is beneficial for breathing, as oxygen then reaches the bloodstream more easily via the alveoli. The skin needs a high level of humidity in order not to dry out, as this is closely linked to skin moisture. Mucous membranes are particularly susceptible to drying out, as they have little protection against evaporation and depend on their high humidity to maintain their functions. Thus, low humidity of the nasal mucosa can result in an increased incidence of nosebleeds. In general, the skin's immune defence is weakened (increased risk of catching a cold) and its ability to exchange substances is reduced, which particularly affects the oral mucosa. Low humidity also increases the susceptibility to skin irritations or redness or even skin inflammations. *Source: [www.wikipedia.de](http://www.wikipedia.de)*



## Declaration of guarantee

Notwithstanding the statutory warranty claims, the manufacturer grants a warranty in accordance with the laws of your country, but at least 1 year (in Germany 2 years for private individuals). The warranty begins on the date of sale of the appliance to the end user.

The guarantee only covers defects that are due to material or manufacturing faults.

Warranty repairs may only be carried out by an authorised customer service. To make a warranty claim, please enclose the original sales receipt (with date of sale).

Excluded from the guarantee are:

- Normal wear and tear
- Improper applications, such as overloading the appliance or non-approved accessories.
- Damage due to external influences, use of force or foreign objects
- Damage caused by non-observance of the operating instructions, e.g. connection to an incorrect mains voltage or non-observance of the assembly instructions.
- Completely or partially dismantled units

## Conformity

The humidifier has been tested and itself and/or parts thereof have been manufactured under the following (safety) standards:

**Of course with CE (EMC + LVD) conformity.**

CE (EMC) conformity tested according to: EN 55011:2009+A1:2010  
EN 55014-2:2015  
EN 61000-3-2:2014  
EN 61000-3-3:2013

CE (LVD) Conformity tested according to: EN 60335-2-98:2003+A1:2005+A2:2008  
EN 60335-2-65:2003+A1:2008+A11:2012  
EN 60335-1:2012+A11:2014  
EN 62233:2008

## Correct disposal of this product



Within the EU, this symbol indicates that this product should not be disposed of with household waste. Waste equipment contains valuable recyclable materials that should be recycled. Furthermore, the environment or human health should not be polluted by uncontrolled waste disposal.

Please dispose of

Therefore, dispose of old appliances via suitable collection systems or send the appliance for disposal to the place where you bought it. They will then recycle the appliance.

I wish you much pleasure with this appliance.

*Your Aktobis AG*

***Keep these instructions for use in a safe place !***